

**Profile system**

- sliding system
- floor-mounted sliding system
- sliding to the left or right as desired
- narrow exterior views
- opening types: 2- or 3-track with up to 6 moving casements
- max. door casement height: 3000 mm
- construction depth: 2-track 65 / 40 mm, 3-track 115 / 40 mm

**Fittings**

- all fittings are concealed within the profiles
- low-maintenance, non-corroding and failsafe hardware components
- integrated followers automatically move the adjacent panels when closing the sliding panel
- inside and/or outside locking possible

**Running assembly**

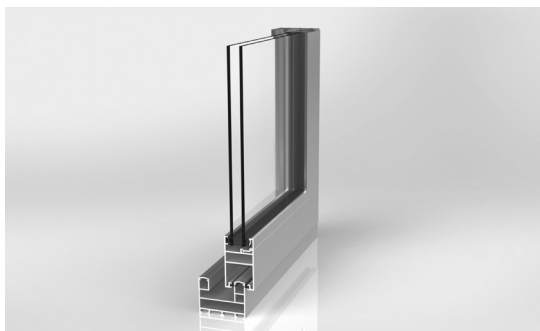
- low-noise, ball bearing rollers with wear-resistant and low-maintenance running surfaces
- 180 kg/panel (maximum panel weight)

**Glazing**

- glass thicknesses to 20 mm are possible

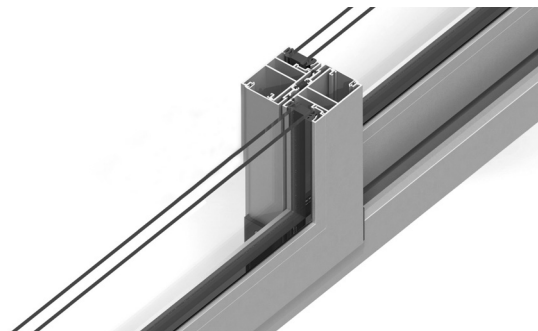


tested SUNFLEX quality



**Profil**

Non-insulated aluminium sliding system.



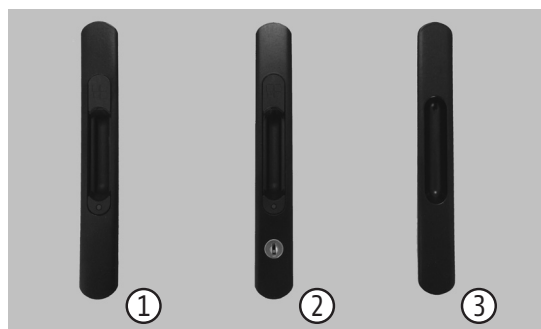
**Vertical frame**

Increased water- and windtightness by three sealing levels within the labyrinth area.



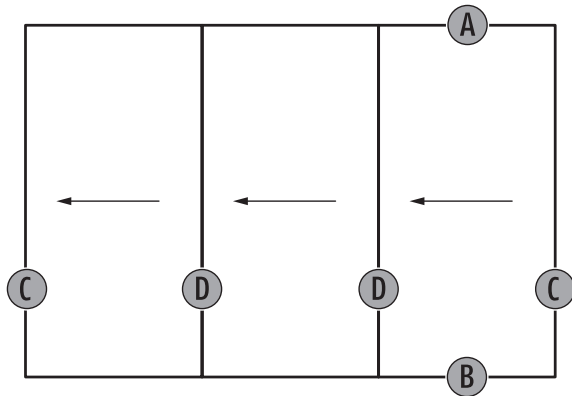
**Design**

Narrow exterior views of all profiles provide for homogenous optics.



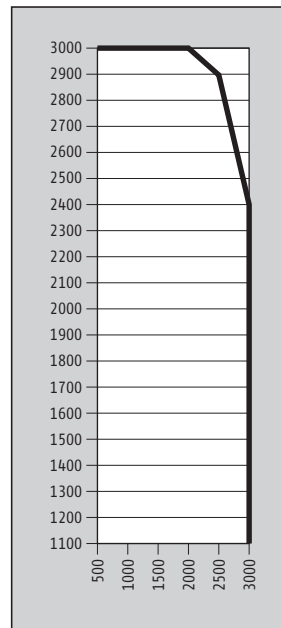
**Handles**

1. Locking interior
2. Locking interior with lock
3. Pull handle exterior



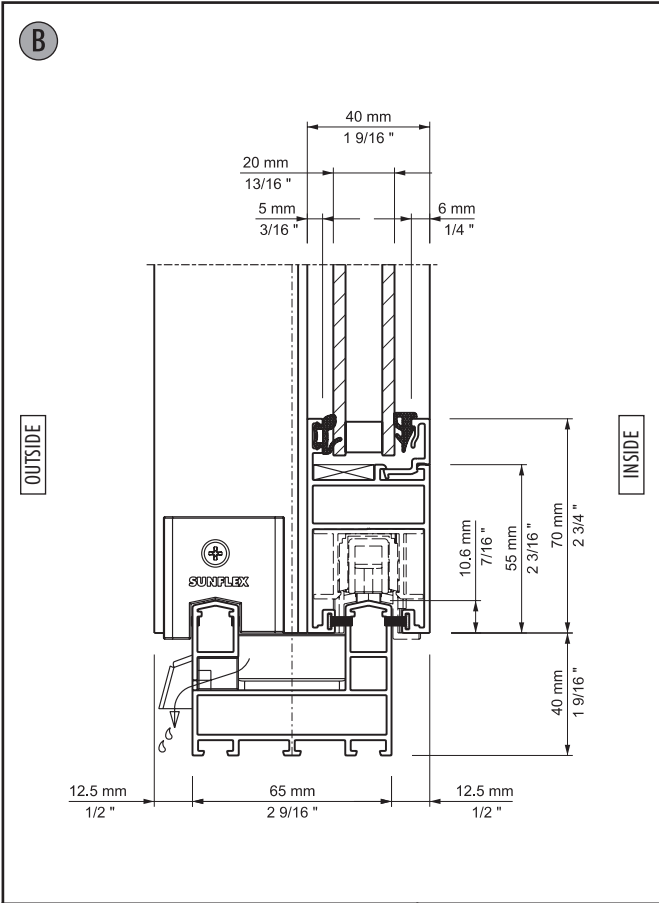
Details at uneven panel partitioning in one direction

Panel size diagram

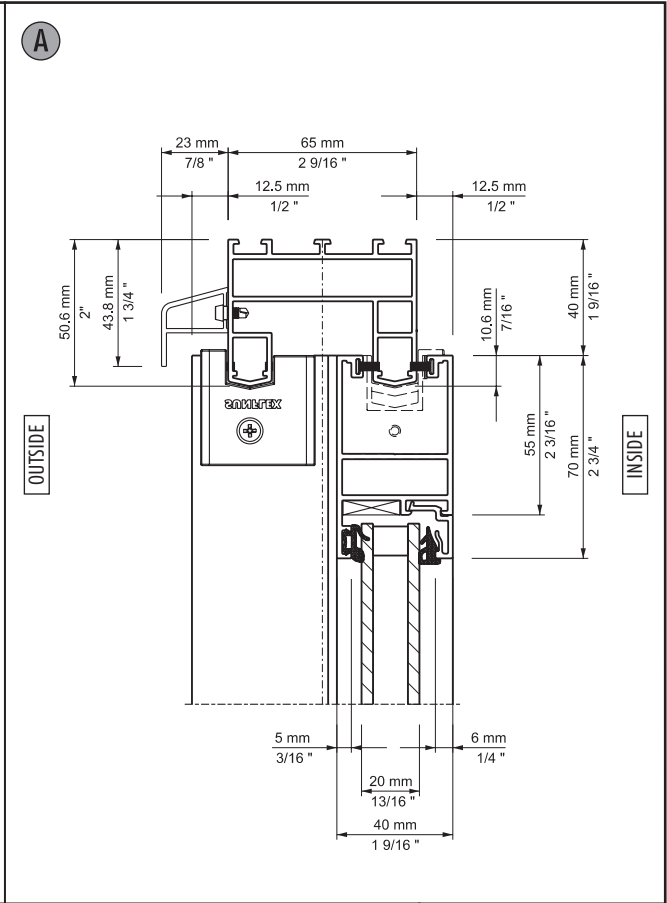


Special sizes on request

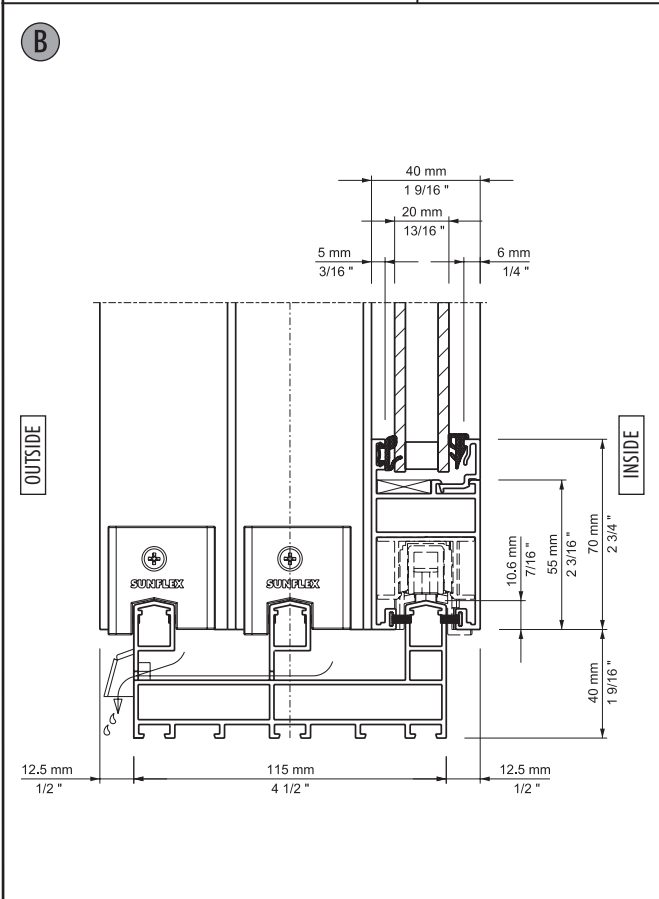
Ref.	Section	Description	Page
B	SF42-001	Vertical-Section, bottom track / 2-track	4
A	SF42-002	Vertical-Section, top track / 2-track	4
B	SF42-003	Vertical-Section, bottom track / 3-track	4
A	SF42-004	Vertical-Section, top track / 3-track	4
C	SF42-101	Horizontal-Section, side wall fitting / 2-tracks / left	5
C	SF42-105	Horizontal-Section, side wall fitting / 2-tracks / right	5
C	SF42-102	Horizontal-Schnitt, side wall fitting, 3-tracks / left	5
C	SF42-104	Horizontal-Schnitt, side wall fitting, 3-tracks / right	5
D	SF42-103	Horizontal-Section, panel - panel	6
D	SF42-106	Horizontal-Section, panel - panel, on one track	6



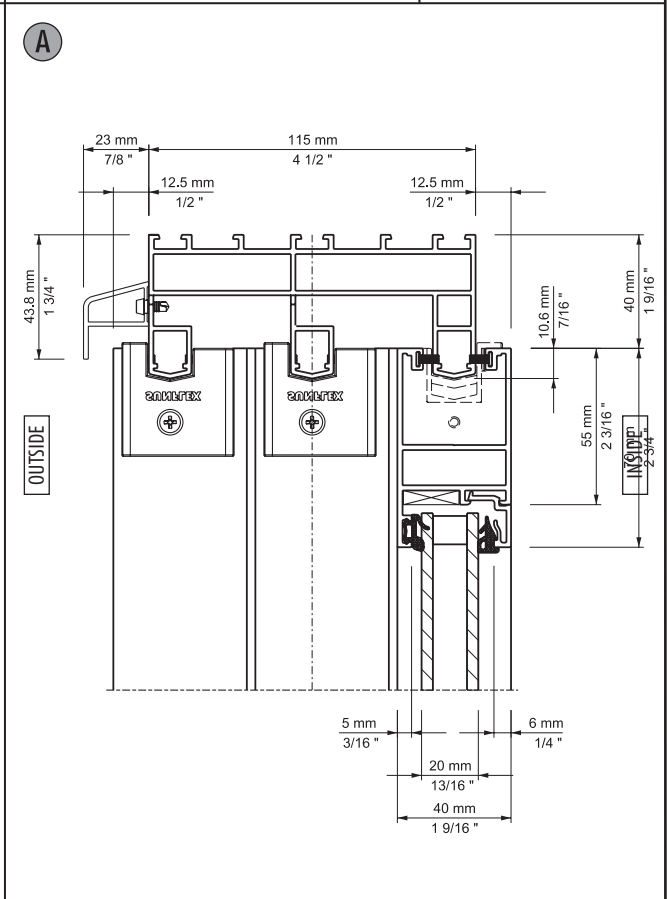
Description: Vertical-Section, bottom track, 2-track  
 System: SF42  
 Detail-No.: SF42-001



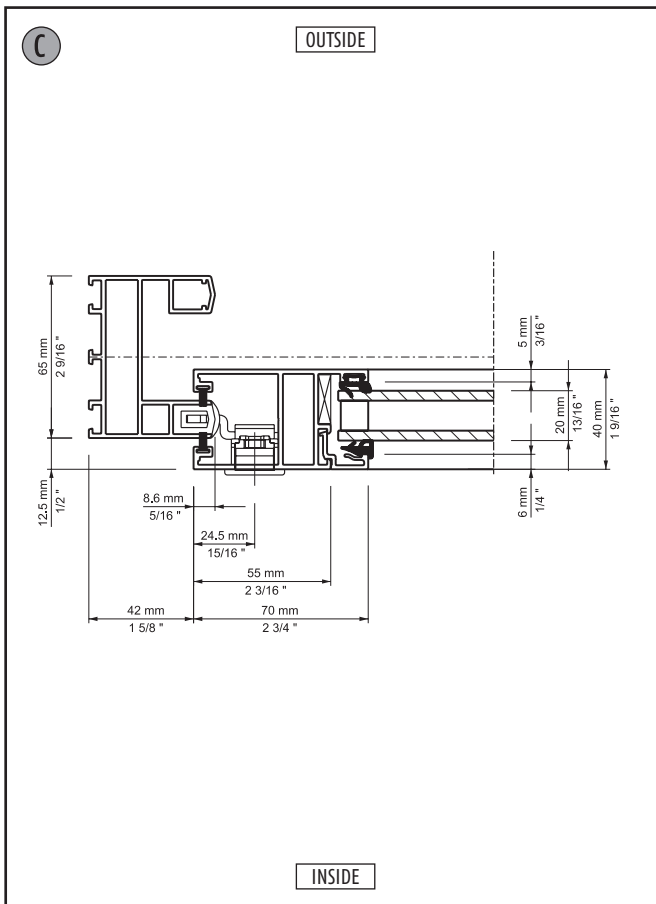
Description: Vertical-Section, top track, 2-track  
 System: SF42  
 Detail-No.: SF42-002



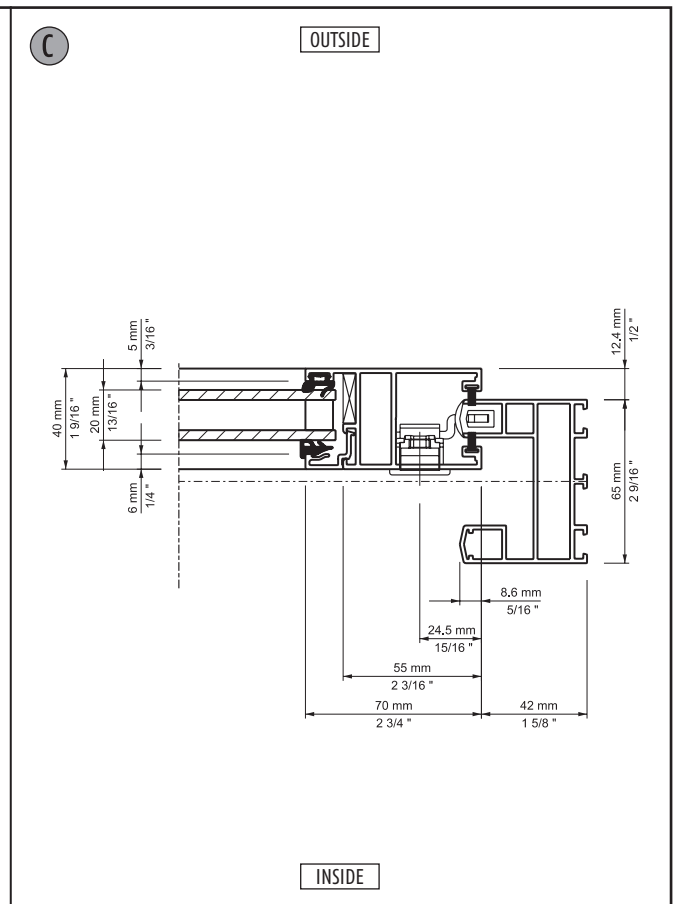
Description: Vertical-Section, bottom track 3-track  
 System: SF42  
 Detail-No.: SF42-003



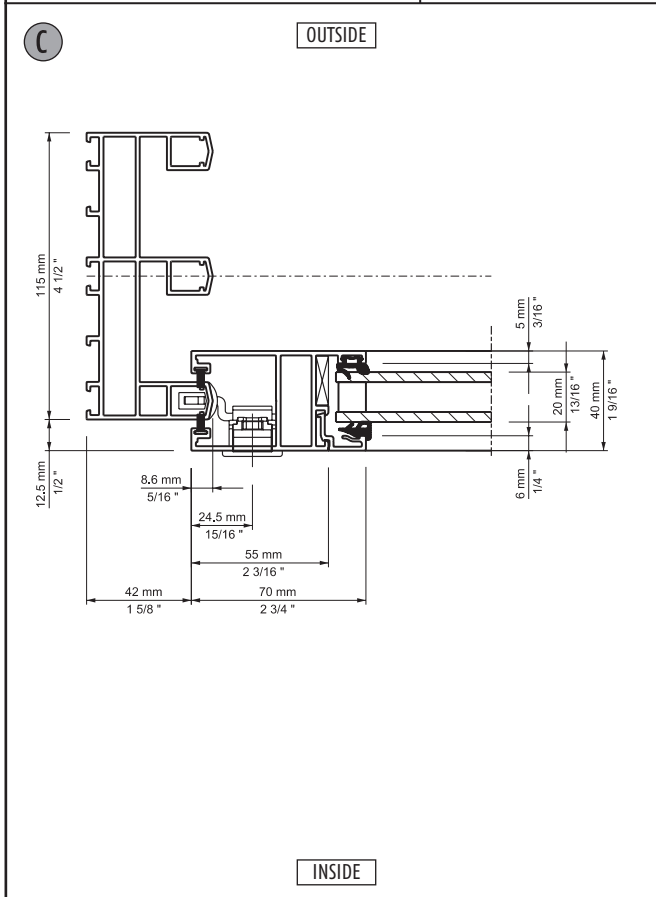
Description: Vertical-Section, top track, 3-track  
 System: SF42  
 Detail-No.: SF20-004



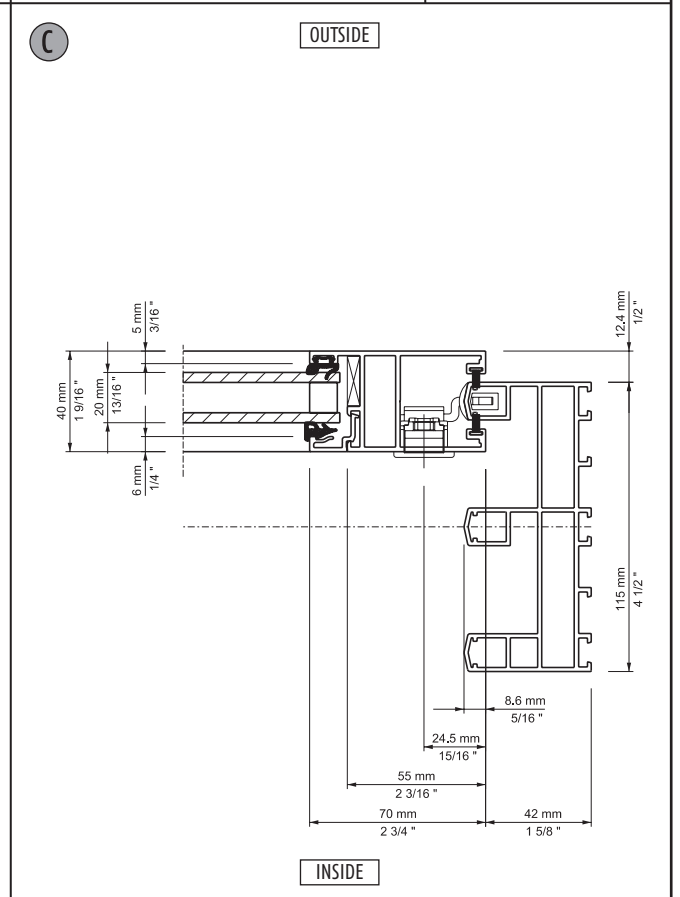
Description: Horizontal-Section, side wall fitting, 2-tracks / left	System: SF42
	Detail-No.: SF42-101



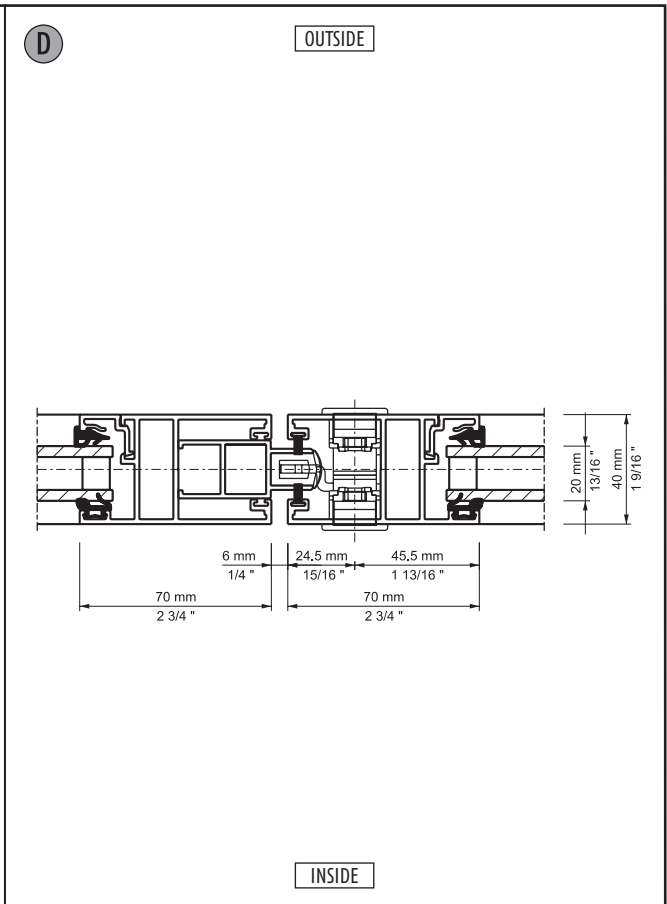
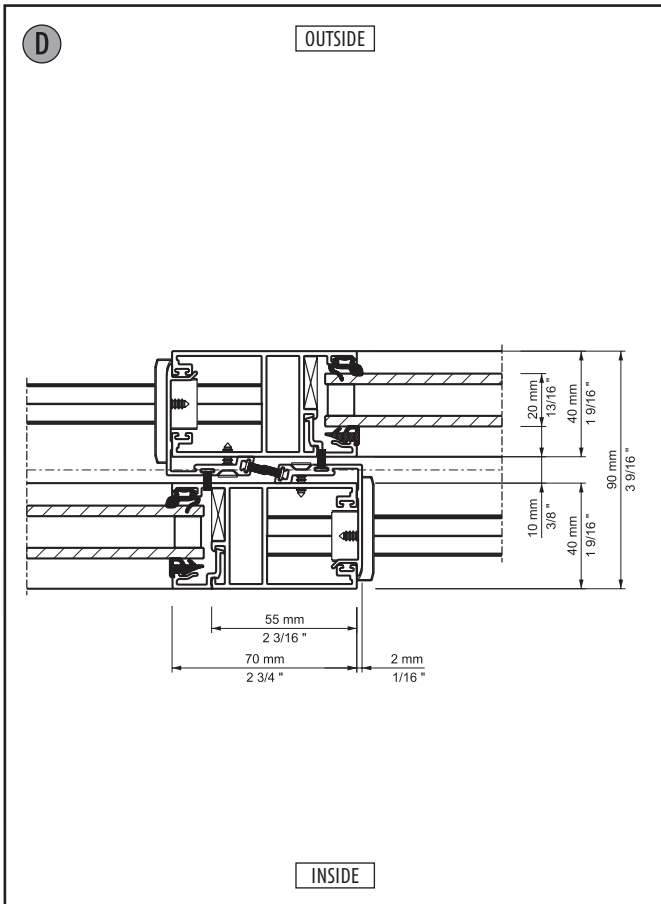
Description: Horizontal-Section, side wall fitting, 3-tracks / right	System: SF42
	Detail-No.: SF42-105



Description: Horizontal-Section, side wall fitting, 3-tracks / left	System: SF42
	Detail-No.: SF42-102



Description: Horizontal-Section, side wall fitting, 3-tracks / right	System: SF42
	Detail-No.: SF42-104



Description: Horizontal-Section, panel - panel	System: SF42
	Detail-No.: SF42-103

Description: Horizontal-Section, panel - panel / on one track	System: SF42
	Detail-No.: SF42-106